



SPECIFICATION

	Industrial Penel PC All in One Touch Monitor
MODEL	TSPC
PRODUCT MODEL NAME	TSPC-101-W3
CUSTOMER	
DATE	2020-03-22

APPROVED BY TOUCH AND DISPLAYS CO.,LTD	
ENGINEER	Kyeong Min Lee
REVIEWER	 <small>Touch & Displays Co., Ltd. Sung-Hyun Kim Manager Director</small>
CONFIRMED	



MONITOR

Key Feature

This industrial Touch Screen Panel PC All in One Linux 10.1inch. This industrial panel PC with touch screen designed with good looking and ultra-thin front bezels, only 3mm, well for embedding into cabinet, console and other equipment. It comes with 4 / 5-wire resistive or ten-point multi projective capacitive touch screens, IR touch also offer non-touch screen for some customers.

CPU Option : J1900 , J4125, J6412
 i3-6100U ,i3-8145u,i3-10110u,
 i5-6200u, i5-7200u,i5-8262u,i5-10210u,
 I7-6500U,I7-7500U,I7-8565U,I7-10510U

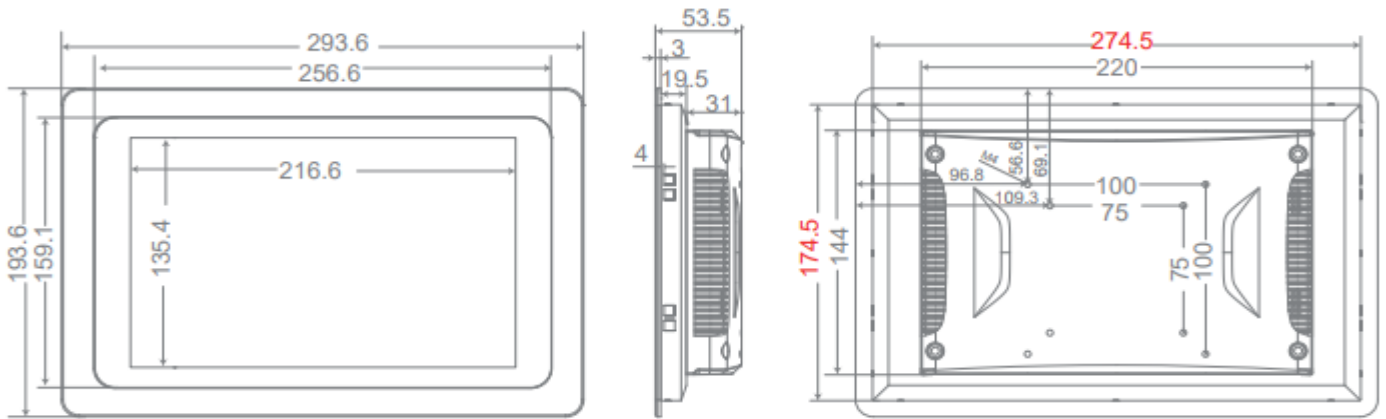
For RAM: 4g/8g /16G RAM. **For Hard Disk:** 64G/128G/256G/512G SSD, or 500G/1T HDD.

Screen	Screen size	10.1inch
	Model	TSPC-101-W3
	Resolution	1920X1200(16:10)
	Proportion	16:10 ratio
Motherboard	CPU	Intel Celeron J6412 quad-core 2.0GHz CPU
	Hard Disk	Standard: 256GB SSD (optional 512GB SSD, 1T/2T HDD)
	Momery	Standard: 8GB LPDDR4 (It supports up to 16GB)
	Audio	1*Audio I/O, support audio input and output
	Network	2*LAN, 1*Realtek PCI-E NIC RTL8111H (Applicable to 1000Mbps) 1*Realtek PCI-E NIC RT8152B (Applicable to 1000Mbps)
	Wireless Network	built-in wifi antenna, support wireless connection
	Graphics Cards	Intel UHD Graphics 16 EUs
	System	WIN10/11, Ubuntu14.04.6/16.04.7/18.04.5/18.04.6/20.04.1/20.04.3/20.04.4/22.04, Centos7.8/8.4/7.9, Redhat7.4, Debian10.0/11.6
	Board pressure	With wide voltage(12V~36V)
	SIM	1*SIM, Supporting various formats (Depending on 3G/4G module)
Speakers	Available	
Interface	USB interface	USB2.0*2, Other sizes: USB2.0*3+USB3.0*1
	Serial Interface	COM*1, Other Sizes: COM*2, Default RS232 Protocol, Can Change 422/485 Protocol
	WIFI connector	Support 2.4GHz/ 5GHz dual-band Wifi
	Power Interface	DC 12V*1
	High-definition Interface	HDMI, Supporting HDMI data output, up to 4K
	Extended display	VGA*1, support for synchronous dual display and differential display

	Network Interface	1*LAN, 10M/100M/1000M adaptive Ethernet
	Camera	M1,M5 Camera(optional)
	MIC	Front MIC(optional)
	Audio Interface	Audio I/O
	Bluetooth	BT4.0 (Optional)
	Support extensions	Multiple industry interface support customization
Display	Color	16.7M
	Point distance	0.264mm
	Screen Panel	Industrial control panel
	Contrast	1000:1
	Display brightness	300cd/m2
	View angle	(H170 (V) 170, customizable wide viewing angle 178°
	Backlight type	LED-backlit screen Lifetime ≥ 50000h
	Gray-scale response time	5ms
	Touch Optional	Resistive/Projective Capacitive/Mouse Control
	Installation method	Embedded, desktop, wall-mounted, VESA
Other	Power	12V-5A Professional External Power Adapter
	Power consumption	≤60W
	Working temperature	-10°C ~ 60°C
	Storage temperature	-20°C ~ 60°C
	Relative humidity	0%-65% (without condensation)
	Material	Full body made of aluminum alloy material
	Color	Silver / Black/Optional
	Warranty Policy	Three-year warranty in all, one year for free

DQ : TDS200322-J01

Degree of protection	Front panel IP65 dustproof and waterproof
Packing Accessories	Industrial Tablet PC / Mounting Accessories / Power Cord / Power Adapter / Driver CD / Manual / Warranty Card

MECHANICAL DRAWING

Customer Request

Display Port: Customization

LCD Brightness(Dimming): High Brightness / Sunlight Readable/Dimming : Auto,Knob,Manual

- Industrial monitor : 5% Dimming (Zero Dimming : please ask to Sales team)

- High-brightness monitor : 50% Dimming (5%, Zero Dimming : please ask to Sales team)

Touch Screen : PCAP touch screen

Resistive Touch Screen

IR Touch Screen

SAW Touch Screen

Glass : Tempered Glass

AR/AG coating

Optical/Air Bonding

Power: DC voltage/AC voltage/Connector type

Cable/Connector: Length of Cable and connector type

Mechanical Housing/ IP grade/ Easy Mounting Design

NOTE

This is a simplified drawing, and some components are not marked in detail.

Please contact our sales representative if you need further product information.

All specifications are subject to change without prior notice.

The product shown in this datasheet is a standard model. For diagrams that contain customized or optional I/O please contact our Team(TDS) for more information.